

# ITINERO

## Eccentric reducer



### DESCRIPTION

Part of the range dedicated to infrastructure, the ITINERO reducers enable transition of pipe sizes to optimise the flow requirements of your system. Designed for surface water from bridges and tunnels, the cast iron reducers are coated with a 300 µm grey powder epoxy coating and are fully recyclable.

### Material & Coatings

- Cast Iron
- Coating: mat grey RAL 7030, epoxy, average dry film thickness 300 µm.

### RECOMMENDED USE

- Aggressive outdoor environment
- Buried networks
- Hydrocarbon Wastewater
- Runoff water

### TECHNICAL FEATURES

- Hot water resistance: 24h at 95°C.
- Thermal cycle resistance: 1500 cycles between 15°C and 93°C.
- Chemical resistance for  $2 \leq \text{pH} \leq 12$ .
- Salt spray resistance: more than 4500 h.

### STANDARDS & APPROVALS

- Industry Product Standards: EN 877, DIN 19522, CE
- Range acoustic performance:  $L_{sc,A} < 10 \text{ dB(A)}$  &  $L_{a,A} = 47 \text{ dB(A)}$  according to EN 14366 with 2 l/s.
- Range reaction to fire: Euroclass A2-s1,d0

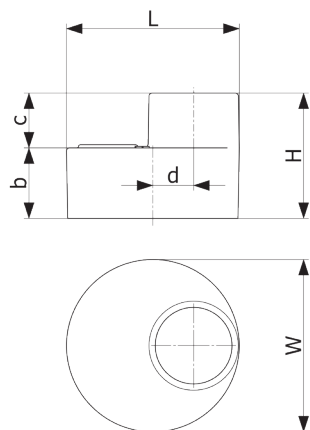
### ENVIRONMENTAL DATA

- Percentage of Recycled Content: 99 %
- Recycling Information: Cast iron is fully recyclable through the existing recycling industrial network.  
Data source: Environmental Product Declaration S-P-02013



# ITINERO

## Eccentric reducer



DN	dn	L	H	W	b	c	d	Weight	Product Code
125	100	135	95	135	50	45	13	1.6	277822
150	100	160	105	160	60	45	25	2.0	277900
150	125	160	110	160	60	50	13	2.0	277872
200	100	210	115	210	70	45	50	3.6	277823
200	125	210	120	210	70	50	38	3.8	277831
200	150	210	125	210	65	60	25	3.4	277873
250	150	274	135	274	82	53	57	6.3	277874
250	200	274	145	274	80	65	32	6.9	277875
300	150	326	150	326	97	53	83	11.0	277876
300	200	326	160	326	95	65	58	10.2	277877
300	250	326	170	326	95	75	26	10.7	277840
400	300	429	200	429	100	100	52	19.6	277878
500	400	532	200	532	100	100	52	27.9	277860

All dimensions are in mm and nominal weights are in kg

This document is provided for information purposes only and our company reserves the right to modify the information contained herein at any time. Our company declines all responsibility in the event of the use or installation of materials that do not comply with the rules prescribed in this document as well as with the standards, the technical documents and the applicable professional standards. Any orders placed will be subject to our General Terms and Conditions of Sale, available on request. The drawings and/or images are the exclusive property of Pam Building and are confidential. They must not be reproduced or disclosed to any third party without written consent. They may only be used for the purpose for which they were issued and are returnable on request.

### Pam Building

130 Impasse du Chêne • 54700 BOUXIÈRES-SOUS-FROIDMONT • France • Tel: +33 (0) 3 66 88 19 47 • Email: tc@pambuilding.com • www.pambuilding.com  
Simplified joint-stock company with a capital of 6,812,970.75€ • SIREN 799 283 882 • RCS NANCY