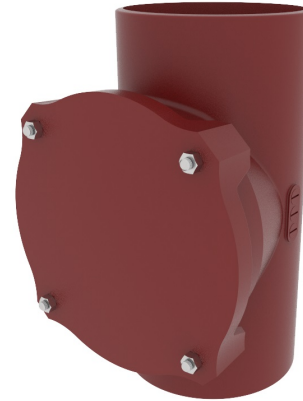


PAM GLOBAL S

Access door with round tight plate

DN125 - DN300



DESCRIPTION

Part of the Standard drainage system, the PAM GLOBAL S access pipe with round tight plate allows you to enter the network. The access pipe is made up of a cast iron body and a round cover plate coated with a reddish-brown epoxy film applied by cataphoresis.

Material & Coatings

- Cast Iron
- Coating: red-brown, anti-corrosive cataphoresis epoxy, average dry film thickness 70 µm.

RECOMMENDED USE

- Rainwater
- Valve water
- Wastewater

TECHNICAL FEATURES

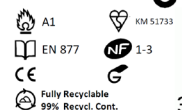
- Hot water resistance: 24h at 95°C.
- Thermal cycle resistance: 1500 cycles between 15°C and 93°C.
- Chemical resistance for $2 \leq \text{pH} \leq 12$.
- Salt spray resistance internal coating: more than 350 h.

STANDARDS & APPROVALS

- Industry Product Standards: EN 877, CE, DIN 19522, NF, GEG RAL-GZ 698, Kitemark, GOST, SINTEF, Qplus prR 592012-3
- Range acoustic performance: $L_{sc,A} < 10 \text{ dB(A)}$ & $L_{a,A} = 47 \text{ dB(A)}$ according to EN 14366 with 2 l/s.
- Range reaction to fire: Euroclass A1

ENVIRONMENTAL DATA

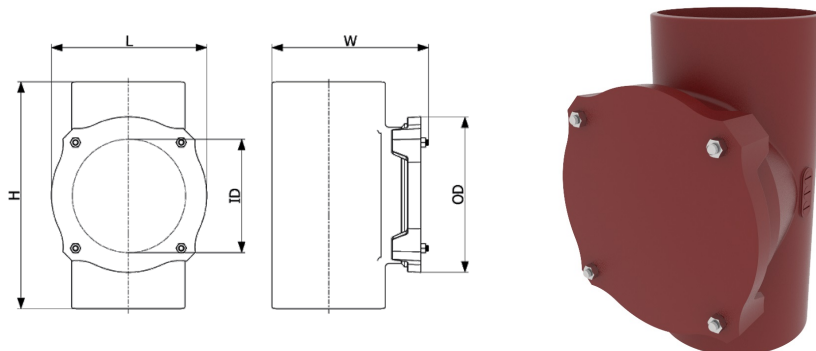
- Percentage of Recycled Content : 99.0 %
- Recycling Information : Cast iron is fully recyclable through the existing recycling industrial network. Data source: Environmental Product Declaration S-P-02013



999999

PAM GLOBAL® S
Sample fitting





DN	L	H	W	ID	OD	Screw type	Number of bolts	Weight	Product Code
125	202	280	202	152	202	M8x45	3	7.0	280010
150	243	320	226	180	243	M8x45	4	9.8	280012
200	243	360	277	180	245	M8x45	4	12.9	280013
250	274	380	362	180	245	M8x45	4	18.7	280014
300	326	400	413	180	245	M8x45	4	25.0	280015

All dimensions are in mm and nominal weights are in kg

This document is provided for information purposes only and our company reserves the right to modify the information contained herein at any time. Our company declines all responsibility in the event of the use or installation of materials that do not comply with the rules prescribed in this document as well as with the standards, the technical documents and the applicable professional standards. Any orders placed will be subject to our General Terms and Conditions of Sale, available on request. The drawings and/or images are the exclusive property of Pam Building and are confidential. They must not be reproduced or disclosed to any third party without written consent. They may only be used for the purpose for which they were issued and are returnable on request.

Pam Building

130 Impasse du Chêne • 54700 BOUXIÈRES-SOUS-FROIDMONT • France • Tel: +33 (0) 3 66 88 19 47 • Email: tc@pambuilding.com • www.pambuilding.com
Simplified joint-stock company with a capital of 6,812,970.75€ • SIREN 799 283 882 • RCS NANCY