

PAM-GLOBAL S

Multi waste manifold



DESCRIPTION

Part of the Standard drainage system, the PAM GLOBAL S multi-waste manifold is a connector capable of servicing six waste pipes at one time. The connector has an internal baffle to eliminate any cross-flow issues from the opposing waste inlets. Cast iron is coated with a reddish-brown epoxy film applied by cataphoresis.

RECOMMENDED USE

- Rainwater
- Valve water
- Wastewater

STANDARDS & APPROVALS

- Industry Product Standards:
 - NF EN877
- Acoustic Performance: $L_{sc} \leq 10$ dB(A) & $LaA = 47$ dB(A) according to EN 14366 with 2L/s.

Material & Coatings

- Cast Iron
- Coating: red-brown, anti-corrosive cataphoresis epoxy, average dry film thickness 70 μ m.

TECHNICAL FEATURES

- Hot water resistance: 24h at 95°C.
- Thermal cycle resistance: 1500 cycles between 15°C and 93°C.
- Chemical resistance for $2 \leq \text{pH} \leq 12$.
- Salt spray resistance internal coating: more than 350 h.

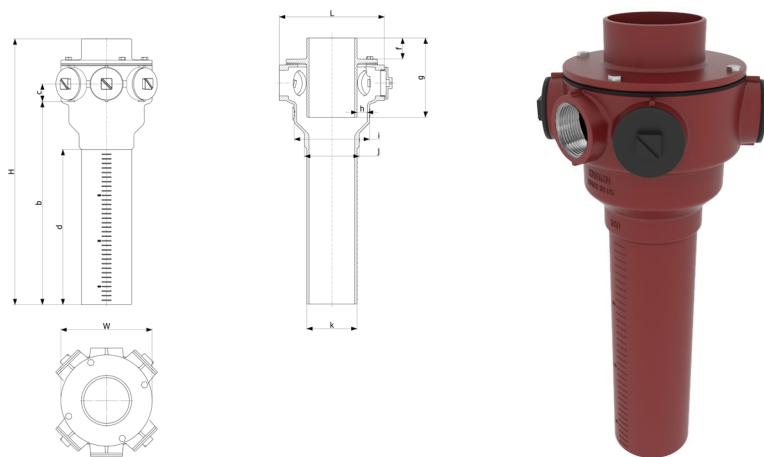
ENVIRONMENTAL DATA

- Percentage of Recycled Content: 99 %
- Recycling Information: Cast iron is 100% recyclable through the existing recycling industrial network. Data source: Environmental Product Declaration S-P02013



PAM-GLOBAL S

Multi waste manifold



DN	L	H	W	b	d	f	g	h	i	j	k	Weight	Product code
100	445	582	445	445	340	45	174	22	165	120	110	12.8	261138
150	445	591	445	445	345	55	181	25	220	170	160	17.3	261434

All dimensions are in mm and nominal weights are in kg

This document is provided for information purposes only and our company reserves the right to modify the information contained herein at any time. Our company declines all responsibility in the event of the use or installation of materials that do not comply with the rules prescribed in this document as well as with the standards, the technical documents and the applicable professional standards. Any orders placed will be subject to our General Terms and Conditions of Sale, available on request. The drawings and/or images are the exclusive property of Saint-Gobain PAM and are confidential. They must not be reproduced or disclosed to any third party without written consent. They may only be used for the purpose for which they were issued and are returnable on request.

Saint-Gobain PAM Bâtiment