

# SMU S

## Short Single Branch 68°



### DESCRIPTION

Part of the standard range, the SMU S single branche allows the junction between two pipe runs at a 68° angle for conveying fluid waste or rainwater. The cast iron fittings are coated with a reddish-brown epoxy film applied by cataphoresis and are fully and indefinitely recyclable.

### RECOMMENDED USE

- Rainwater
- Valve water
- Wastewater

### STANDARDS & APPROVALS

- Industry Product Standards:
  - NF EN877
- Acoustic Performance:  $L_{sc} \leq 10$  dB(A) &  $LaA = 47$  dB(A) according to EN 14366 with 2L/s.
- Range fire classification: A1

### Material & Coatings

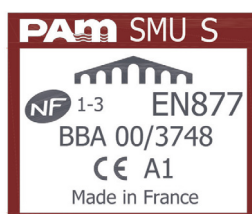
- Cast Iron
- Coating: red-brown, anti-corrosive cataphoresis epoxy, average dry film thickness 70  $\mu$ m.

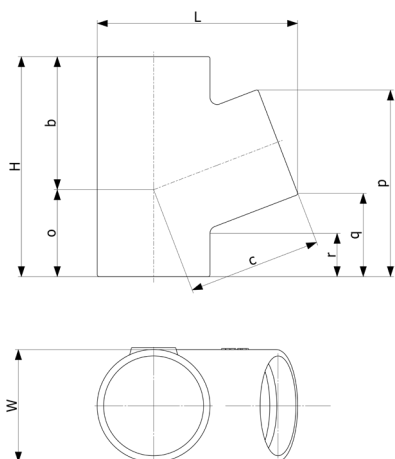
### TECHNICAL FEATURES

- Hot water resistance: 24h at 95°C.
- Thermal cycle resistance: 1500 cycles between 15°C and 93°C.
- Chemical resistance for  $2 \leq \text{pH} \leq 12$ .
- Salt spray resistance internal coating: more than 350 h.

### ENVIRONMENTAL DATA

- Percentage of Recycled Content: 99 %
- Recycling Information: Cast iron is 100% recyclable through the existing recycling industrial network. Data source: Environmental Product Declaration S-P-02013





DN	dn	L	H	W	b	c	o	p	q	r	Weight	Product Code
50	50	118	145	58	80	80	55	117	65	37	1	156433
75	50	140	155	83	95	95	60	122	69	42	1.4	156488
75	75	158	180	83	110	110	70	149	72	37	2	156542
100	50	168	155	110	100	110	55	123	69	43	2	156616
100	75	186	185	110	115	125	70	155	79	44	2.6	156623
100	100	195	220	110	130	130	85	189	87	50	2.8	156699
125	100	222	225	135	140	145	85	190	88	50	3.9	156773
125	125	235	255	135	155	155	100	220	95	50	4.5	156811
150	100	243	235	160	150	155	85	194	92	55	4.8	156877
150	125	262	265	160	165	170	100	226	101	56	5.7	156881
150	150	276	295	160	180	180	115	256	108	55	6.5	156929
200	150	329	310	210	200	210	110	263	114	62	8.5	156987
200	200	352	365	210	225	225	140	321	126	63	12	157027
250	200	420	390	274	255	265	135	428	132	68	18.3	157076
250	250	452	460	274	285	285	170	408	154	77	21.1	157104
300	300	544	545	326	345	345	170	430	178	80	33.4	157167

All dimensions are in mm and nominal weights are in kg

This document is provided for information purposes only and our company reserves the right to modify the information contained herein at any time. Our company declines all responsibility in the event of the use or installation of materials that do not comply with the rules prescribed in this document as well as with the standards, the technical documents and the applicable professional standards. Any orders placed will be subject to our General Terms and Conditions of Sale, available on request. The drawings and/or images are the exclusive property of Saint-Gobain PAM and are confidential. They must not be reproduced or disclosed to any third party without written consent. They may only be used for the purpose for which they were issued and are returnable on request.