

SMU S

Short double branch 68°



DESCRIPTION

Part of the standard range, the SMU S short double branch allows the junction between two pipe runs at a 68° angle for conveying fluid waste or rainwater. The cast iron fittings are coated with a reddish-brown epoxy film applied by cataphoresis and are fully and indefinitely recyclable.

RECOMMENDED USE

- Rainwater
- Valve water
- Wastewater

STANDARDS & APPROVALS

- Industry Product Standards:
 - NF EN877
- Acoustic Performance: $L_{sc} \leq 10$ dB(A) & $L_{aA} = 47$ dB(A) according to EN 14366 with 2L/s.
- Range fire classification: A1

Material & Coatings

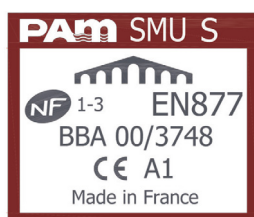
- Cast Iron
- Coating: red-brown, anti-corrosive cataphoresis epoxy, average dry film thickness 70 μ m.

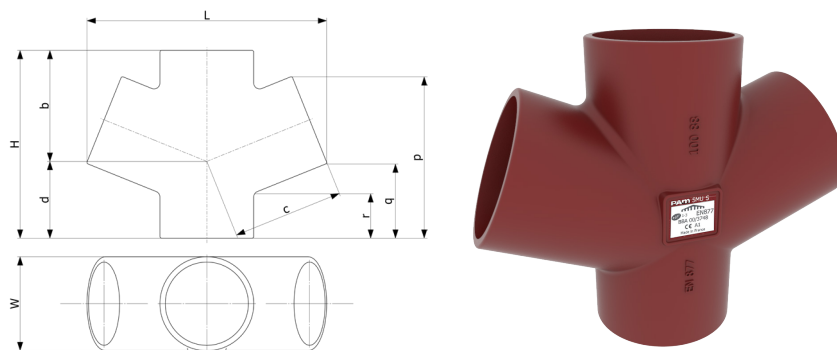
TECHNICAL FEATURES

- Hot water resistance: 24h at 95°C.
- Thermal cycle resistance: 1500 cycles between 15°C and 93°C.
- Chemical resistance for $2 \leq \text{pH} \leq 12$.
- Salt spray resistance internal coating: more than 350 h.

ENVIRONMENTAL DATA

- Percentage of Recycled Content: 99 %
- Recycling Information: Cast iron is 100% recyclable through the existing recycling industrial network.
Data source: Environmental Product Declaration S-P-02013





DN	dn	L	H	W	b	c	d	p	q	r	Weight	Product Code
50	50	178	145	58	85	85	60	118	64	35	1.2	156437
75	75	234	180	83	110	110	70	149	72	36	2.3	156546
100	75	262	185	110	115	125	70	155	79	44	3	156609
100	100	281	220	110	130	130	85	189	87	50	3.4	156707
125	100	309	225	135	140	145	85	190	88	50	4.4	156766
125	125	336	255	135	155	155	100	220	95	51	5.5	156815
150	125	364	265	160	165	170	100	226	101	56	6.6	156867
150	150	392	295	160	180	180	115	256	108	57	8.2	156934
200	150	448	310	210	200	210	110	259	110	58	10.7	156978
200	200	494	365	210	225	225	140	321	126	67	14	157032

All dimensions are in mm and nominal weights are in kg

This document is provided for information purposes only and our company reserves the right to modify the information contained herein at any time. Our company declines all responsibility in the event of the use or installation of materials that do not comply with the rules prescribed in this document as well as with the standards, the technical documents and the applicable professional standards. Any orders placed will be subject to our General Terms and Conditions of Sale, available on request. The drawings and/or images are the exclusive property of Saint-Gobain PAM and are confidential. They must not be reproduced or disclosed to any third party without written consent. They may only be used for the purpose for which they were issued and are returnable on request.