

SMU S

Stack support pipe complete with bracket and seal



DESCRIPTION

Part of the Standard drainage system, the SMU S stack support pipe complete with bracket and seal is used to provide additional support for vertical pipe systems. It is made of cast iron coated with a reddish-brown epoxy film applied by cataphoresis.

RECOMMENDED USE

- Rainwater
- Valve water
- Wastewater

STANDARDS & APPROVALS

- Industry Product Standards:
 - NF EN877
- Acoustic Performance: $L_{sc} \leq 10$ dB(A) & $LaA = 47$ dB(A) according to EN 14366 with 2L/s.
- Range fire classification: A1

Material & Coatings

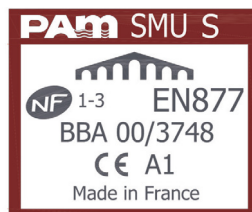
- Cast Iron
- Coating: red-brown, anti-corrosive cataphoresis epoxy, average dry film thickness 70 μ m.

TECHNICAL FEATURES

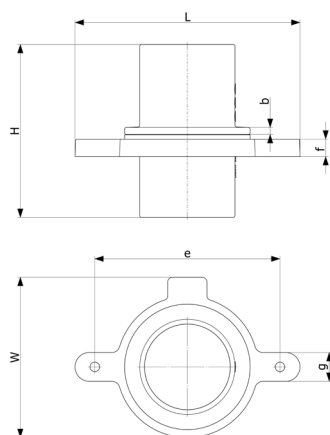
- Hot water resistance: 24h at 95°C.
- Thermal cycle resistance: 1500 cycles between 15°C and 93°C.
- Chemical resistance for $2 \leq pH \leq 12$.
- Salt spray resistance internal coating: more than 350 h

ENVIRONMENTAL DATA

- Percentage of Recycled Content: 99 %
- Recycling Information: Cast iron is 100% recyclable through the existing recycling industrial network. Data source: Environmental Product Declaration S-P-02013



Stack support pipe complete with bracket and seal



DN	L	H	W	b	e	f	g	Weight	Product Code
50	195	17	108	8	150	17	30	1	156413
75	218	220	133	8	175	19	30	3.1	156512
100	259	220	162	8	214	20	32	4.3	156657
125	275	220	187	8	228	20	32	5.4	156793
150	300	220	222	8	255	22	32	7.2	156904
200	362	220	278	8	310	22	36	10.5	157014
250	444	300	354	8	394	25	40	19.1	157097
300	498	300	406	8	448	30	40	26.5	157160

All dimensions are in mm and nominal weights are in kg

This document is provided for information purposes only and our company reserves the right to modify the information contained herein at any time. Our company declines all responsibility in the event of the use or installation of materials that do not comply with the rules prescribed in this document as well as with the standards, the technical documents and the applicable professional standards. Any orders placed will be subject to our General Terms and Conditions of Sale, available on request. The drawings and/or images are the exclusive property of Saint-Gobain PAM and are confidential. They may not be reproduced or disclosed to any third party without written consent. They may only be used for the purpose for which they were issued and are returnable on request.

Saint-Gobain PAM Bâtiment

21 avenue Camille Cavalier - BP 129 • 54705 • PONT-À-MOUSSON • France • Tel: +33 (0) 383 807 808 • Email: tcbatiment.sgpam@saint-gobain.com • www.pambuilding.com
Société par action simplifiée au capital de 6 812 970,75€ • SIREN 799 283 882 • RCS NANCY