

SMU S

Single long arm branch 45°

DESCRIPTION

Part of the standard range, the SMU S long arm single branche allows the junction between two pipe runs at a 45° angle by reducing to a minimum the distance between the water line of the collector and the underside of the slab. The cast iron fittings are coated with a reddish-brown epoxy film applied by cataphoresis and are fully and indefinitely recyclable.

RECOMMENDED USE

- Rainwater
- Valve water
- Wastewater

STANDARDS & APPROVALS

- Industry Product Standards:
 - NF EN877
- Acoustic Performance: $L_{sc} \leq 10$ dB(A) & $LaA = 47$ dB(A) according to EN 14366 with 2L/s.
- Range fire classification: A1



Material & Coatings

- Cast Iron
- Coating: red-brown, anti-corrosive cataphoresis epoxy, average dry film thickness 70 μ m.

TECHNICAL FEATURES

- Hot water resistance: 24h at 95°C.
- Thermal cycle resistance: 1500 cycles between 15°C and 93°C.
- Chemical resistance for $2 \leq \text{pH} \leq 12$.
- Salt spray resistance internal coating: more than 350 h.

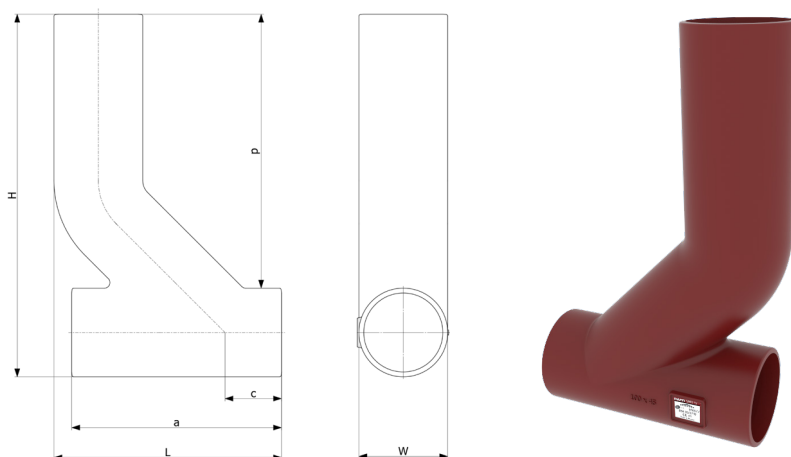
ENVIRONMENTAL DATA

- Percentage of Recycled Content: 99 %
- Recycling Information: Cast iron is 100% recyclable through the existing recycling industrial network. Data source: Environmental Product Declaration S-P-02013



SMU S

Single long arm branch 45°



DN	dn	L	H	W	a	c	p	Weight	Product Code
100	100	282	450	110	260	70	340	6	156726

All dimensions are in mm and nominal weights are in kg

This document is provided for information purposes only and our company reserves the right to modify the information contained herein at any time. Our company declines all responsibility in the event of the use or installation of materials that do not comply with the rules prescribed in this document as well as with the standards, the technical documents and the applicable professional standards. Any orders placed will be subject to our General Terms and Conditions of Sale, available on request. The drawings and/or images are the exclusive property of Saint-Gobain PAM and are confidential. They must not be reproduced or disclosed to any third party without written consent. They may only be used for the purpose for which they were issued and are returnable on request.

Saint-Gobain PAM Bâtiment

21 avenue Camille Cavalier - BP 129 • 54705 • PONT-À-MOUSSON • France • Tel: +33 (0) 383 807 808 • Email: tcbatiment.sgpam@saint-gobain.com • www.pambuilding.com
Société par action simplifiée au capital de 6 812 970,75€ • SIREN 799 283 882 • RCS NANCY