

# SMU PLUS

## Double corner branch 68°



### DESCRIPTION

Part of the Specialized Plus range drainage system, the SMU Plus 68° short corner branche bend allows the double lateral connection to the main vertical soil stack. Designed for intensive use, the cast iron fittings are coated with a 300 µm grey powder epoxy coating and are fully recyclable.

### RECOMMENDED USE

- Aggressive effluents
- Corrosive atmosphere
- Fat Wastewater
- Hot effluents
- Industrial Wastewater

### STANDARDS & APPROVALS

- Industry Product Standards:
  - NF EN877
- Acoustic Performance:  $L_{sc} \leq 10$  dB(A) &  $LaA = 47$  dB(A) according to EN 14366 with 2L/s.
- Range fire classification: A2-s1,d0

### Material & Coatings

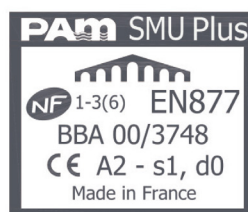
- Cast Iron
- Coating: grey RAL 7015, epoxy, average dry film thickness 300 µm.

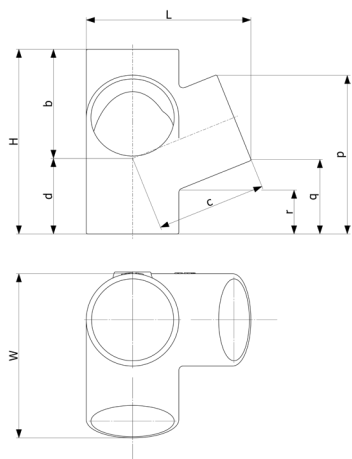
### TECHNICAL FEATURES

- Hot water resistance: 24h at 95°C.
- Thermal cycle resistance: 1500 cycles between 15°C and 93°C.
- Chemical resistance for  $1 \leq \text{pH} \leq 13$ , up to 80°C.
- Salt spray resistance: more than 2500h.

### ENVIRONMENTAL DATA

- Percentage of Recycled Content: 99 %
- Recycling Information: Cast iron is 100% recyclable through the existing recycling industrial network.  
Data source: Environmental Product Declaration S-P-02014





DN	dn	L	H	W	b	c	d	p	q	r	Weight	Product Code
75	75	158	180	158	110	110	70	149	72	36	2.1	155346
100	100	195	220	195	130	130	90	189	87	50	3.5	155386

All dimensions are in mm and nominal weights are in kg

This document is provided for information purposes only and our company reserves the right to modify the information contained herein at any time. Our company declines all responsibility in the event of the use or installation of materials that do not comply with the rules prescribed in this document as well as with the standards, the technical documents and the applicable professional standards. Any orders placed will be subject to our General Terms and Conditions of Sale, available on request. The drawings and/or images are the exclusive property of Saint-Gobain PAM and are confidential. They must not be reproduced or disclosed to any third party without written consent. They may only be used for the purpose for which they were issued and are returnable on request.

### Saint-Gobain PAM Bâtiment

21 avenue Camille Cavalier - BP 129 • 54705 • PONT-À-MOUSSON • France • Tel: +33 (0) 383 807 808 • Email: tcbatiment.sgpam@saint-gobain.com • www.pambuilding.com  
Société par action simplifiée au capital de 6 812 970,75€ • SIREN 799 283 882 • RCS NANCY