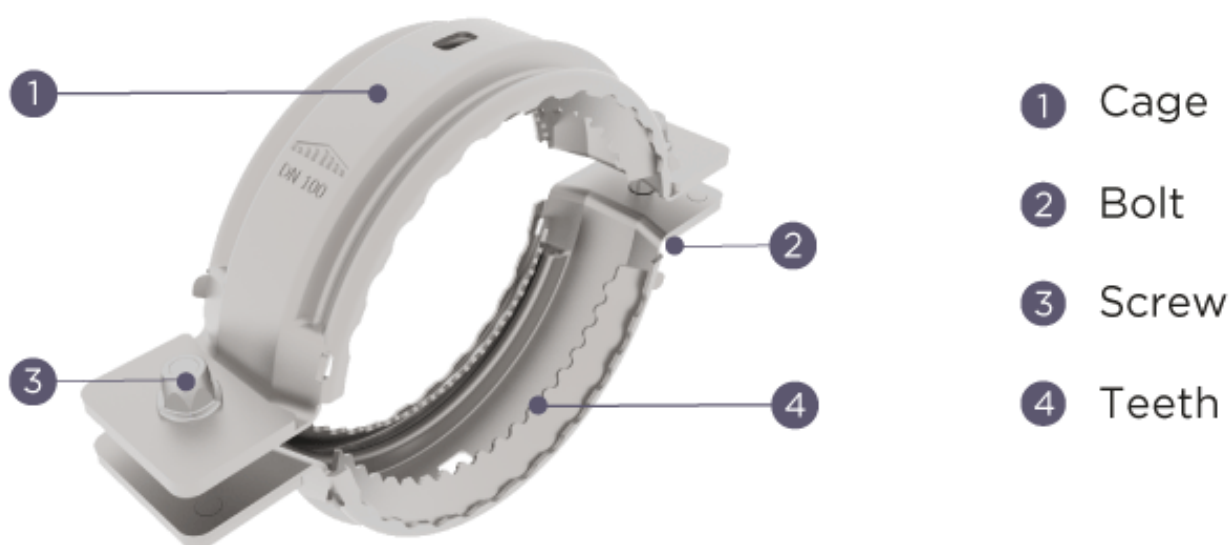


# GRIP COLLARS

## for expansion plugs



### DESCRIPTION

**PAM GRIP collars** are recommended to **secure expansion plugs** under end thrust forces. End thrust forces can be exerted with changes of direction, gradient and specific components like plugs, for example.

In these areas, the forces must be addressed to avoid any risk of the pipe system disconnecting or slipping with the installation of PAM GRIP collars for expansion plugs.

### STANDARDS & APPROVALS

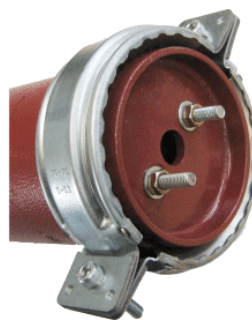
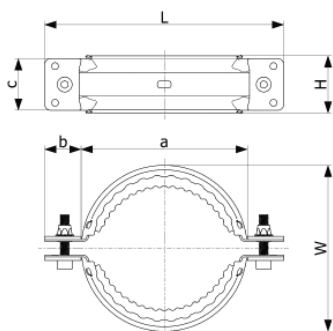
- Industry Product Standards:
  - NF EN877

### MATERIAL

1. Cage: galvanised steel
2. Reinforcement plate: coated steel
3. Screw: coated steel class 8.8
4. Teeth: stainless steel with heat treatment

# GRIP COLLARS

## for expansion plugs



DN	L	H	W	Wrench dimension	Weight	Product code
50	132	47	88	6	0.33	222092
75	155	47	105	6	0.4	222127
100	211	50	145	6	0.6	221563
125	229	54	165	6	0.7	222129
150	260	56	1196	6	0.9	222131
200	316	64	252	8	1.2	222133

All dimensions are in mm and nominal weights are in kg

This document is provided for information purposes only and our company reserves the right to modify the information contained herein at any time. Our company declines all responsibility in the event of the use or installation of materials that do not comply with the rules prescribed in this document as well as with the standards, the technical documents and the applicable professional standards. Any orders placed will be subject to our General Terms and Conditions of Sale, available on request. The drawings and/or images are the exclusive property of Saint-Gobain PAM and are confidential. They must not be reproduced or disclosed to any third party without written consent. They may only be used for the purpose for which they were issued and are returnable on request.

### Saint-Gobain PAM Bâtiment

21 avenue Camille Cavalier - BP 129 • 54705 • PONT-À-MOUSSON • France • Tel: +33 (0) 383 807 808 • Email: tcbatiment.sgpam@saint-gobain.com • www.pambuilding.com  
Société par action simplifiée au capital de 6 812 970,75€ • SIREN 799 283 882 • RCS NANCY